



ME-160

Mechanical Engineering Drawing

Orthographic Projection Drawing (With Holes)

Prepared By:

Musanna Galib

Md. Tanvir Hossain

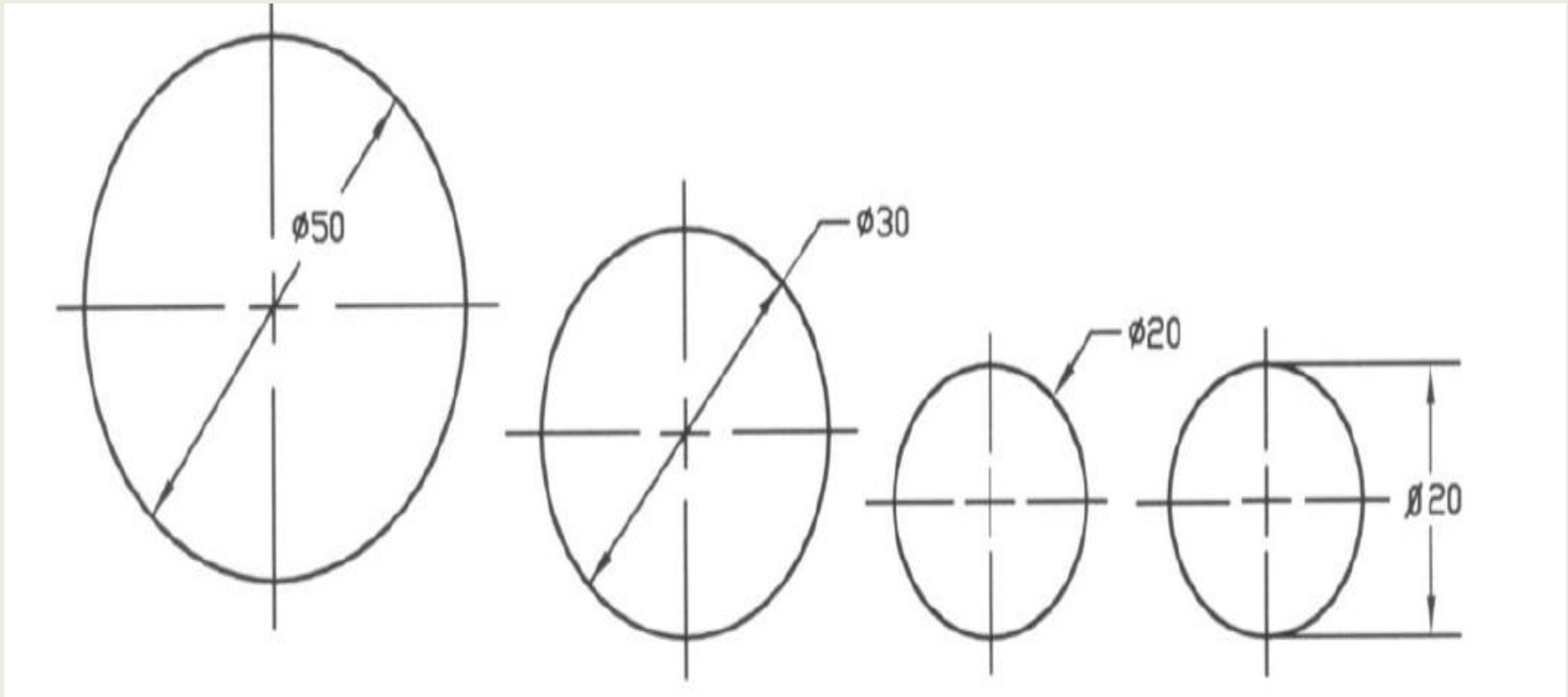
Course Teachers:

Musanna Galib

Saif Al-Afsan Shamim

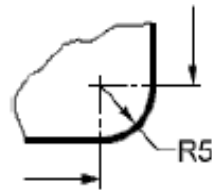
Abdul Aziz Shuvo

Dimensioning of Circles

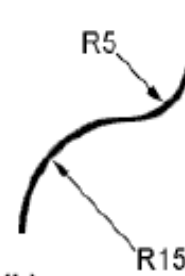


Dimensioning of Arcs

- All radial dimensions are preceded by the capital **R**.



(a)



(b)

(a) shows a radius dimensioned with the centre of the radius located on the drawing.

(b) shows how to dimension radii which do not need their centres locating.

Lines

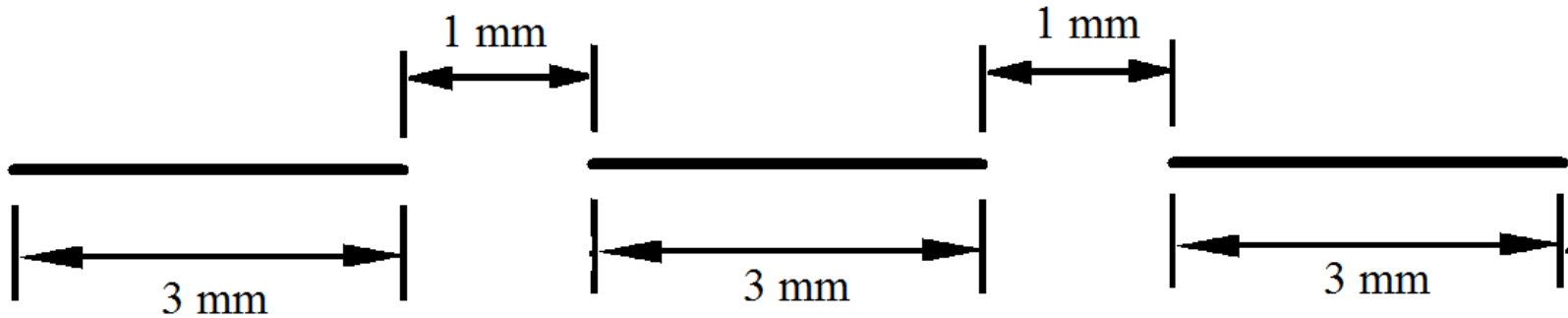
- Object Line : 100% thick
- Hidden Line: 50% thick
- Dimension, Extension Line: 25% thick
- Center Line : 50% thick
- Cutting Plane Line : 125% thick
- Hatchet line :25% thick

Object Line

Thickness: 100 %

Hidden Line

Thickness: 50 %



Center Line

Thickness: 50 %

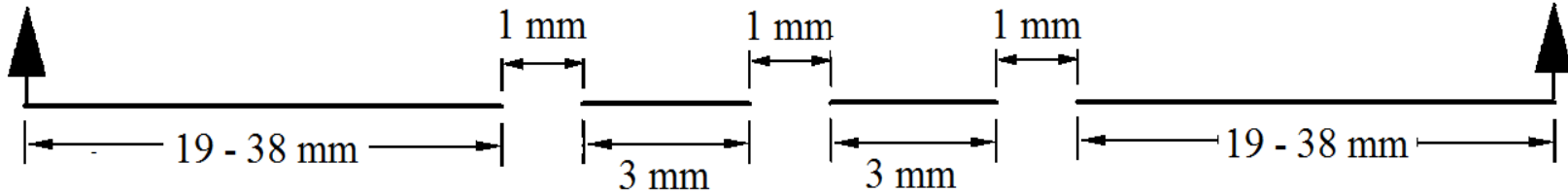
Dimension and
Extension Lines

Light
3.000

Thickness: 25 %

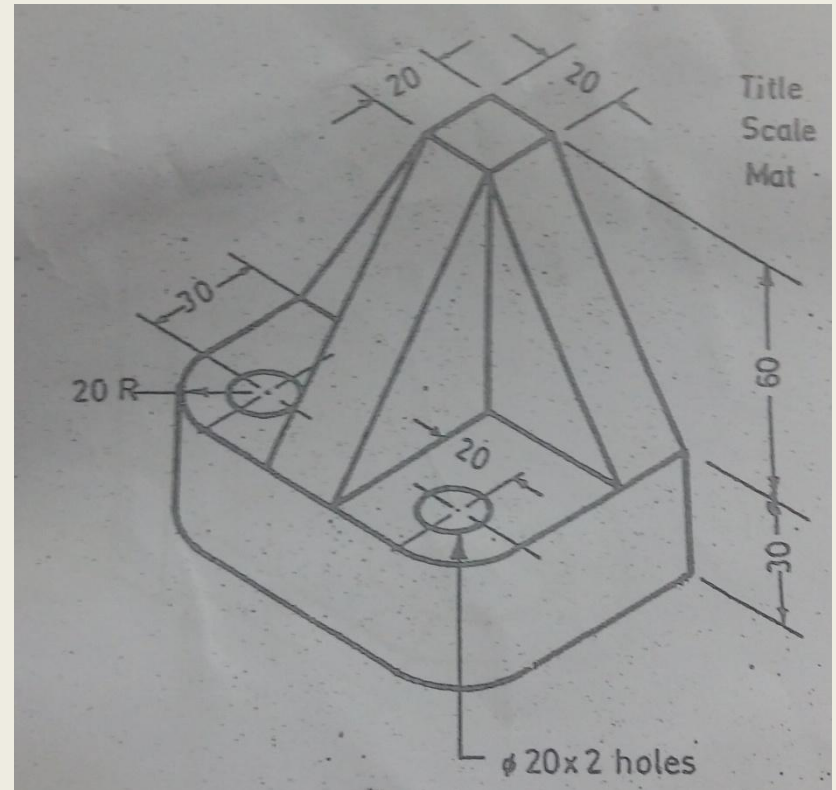
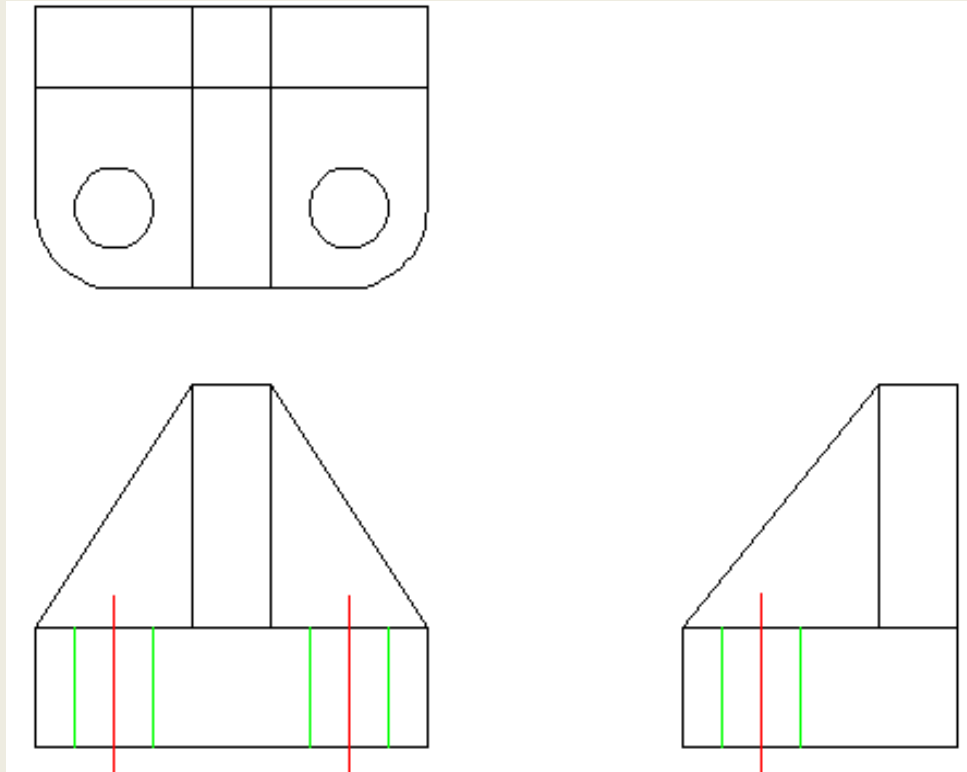
Thickness: 125 %

Section Line

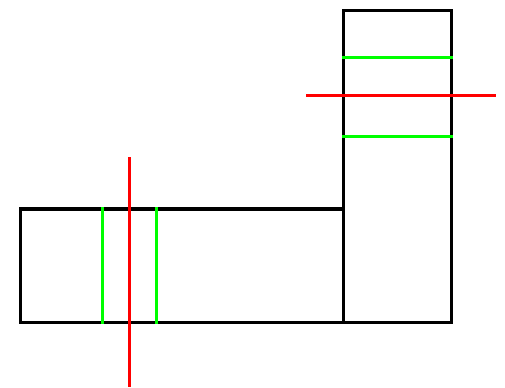
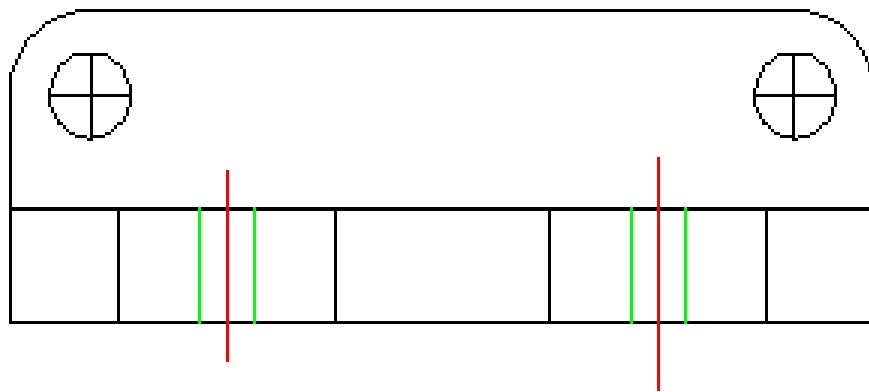
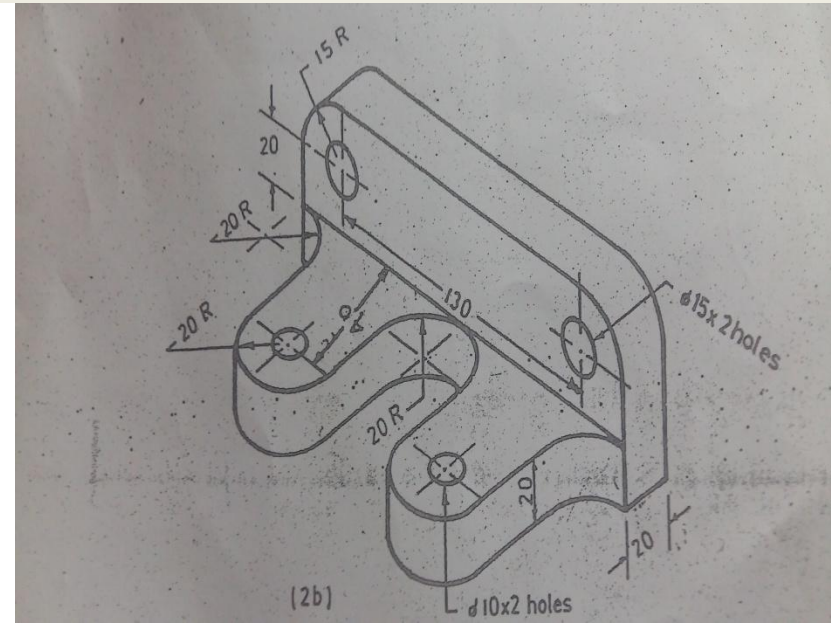
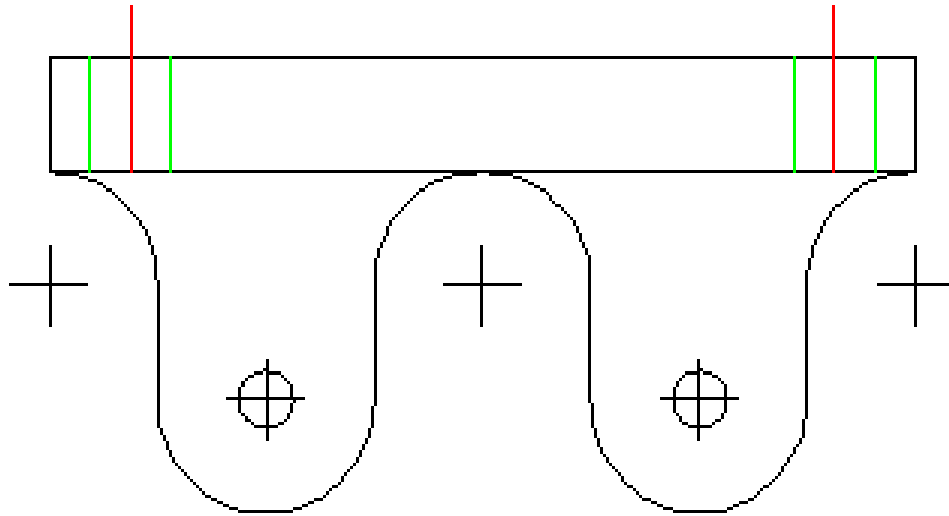


N.B.: All Percentages are with respect to the object line

First Problem



Second Problem



Persist Until Succeed !!!